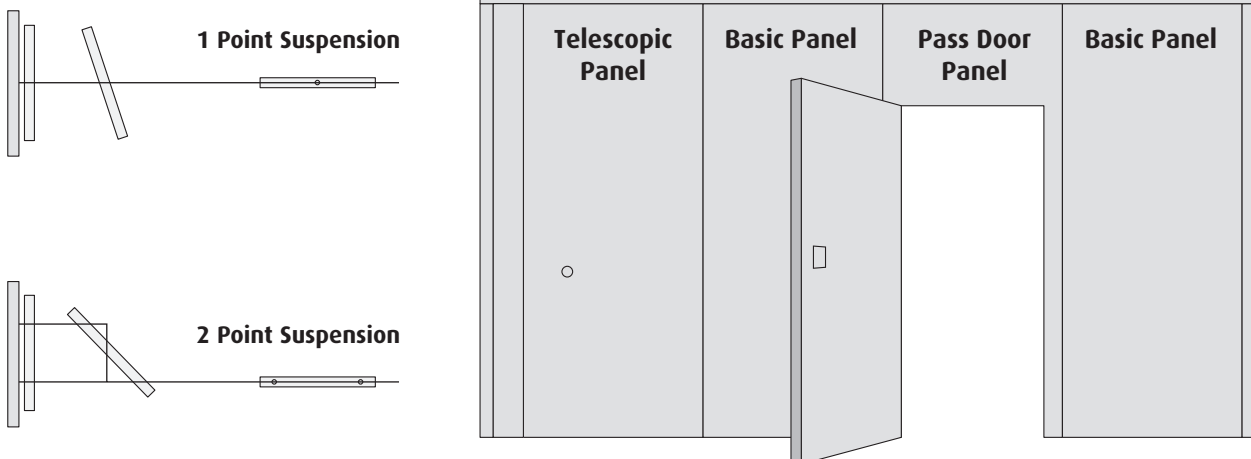


DIVIDERS

DIVIDERS MODERNFOLD LIMITED

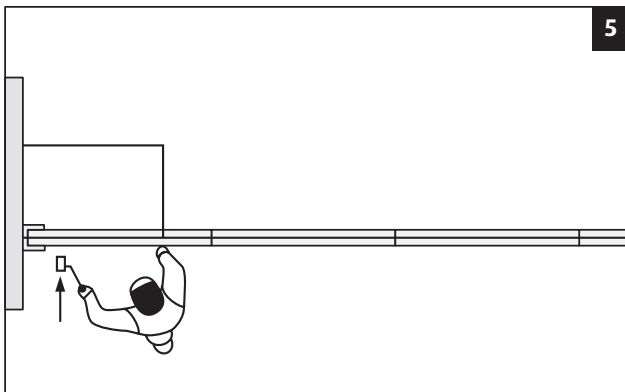
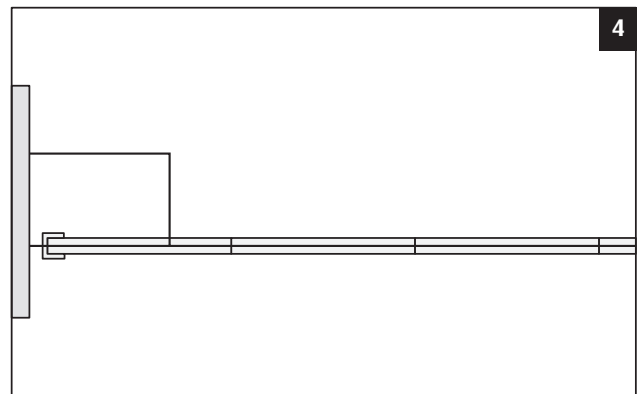
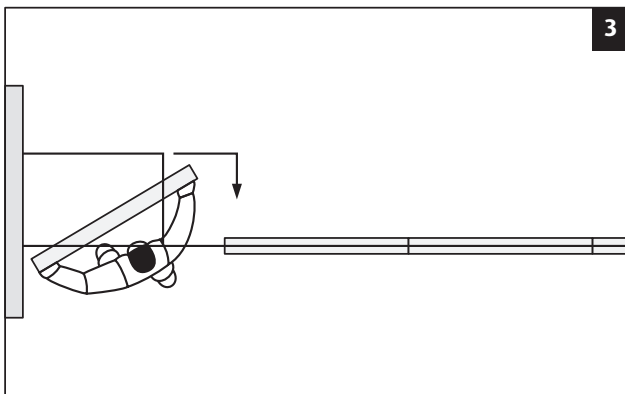
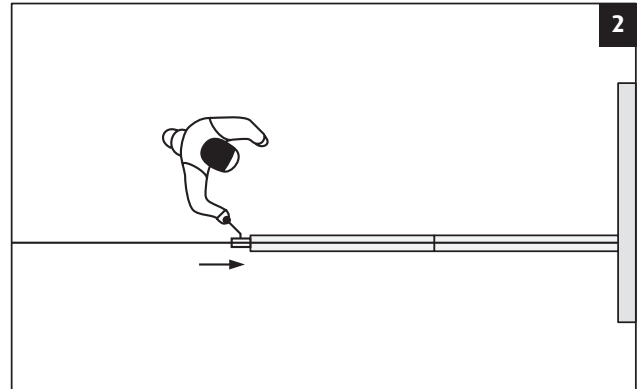
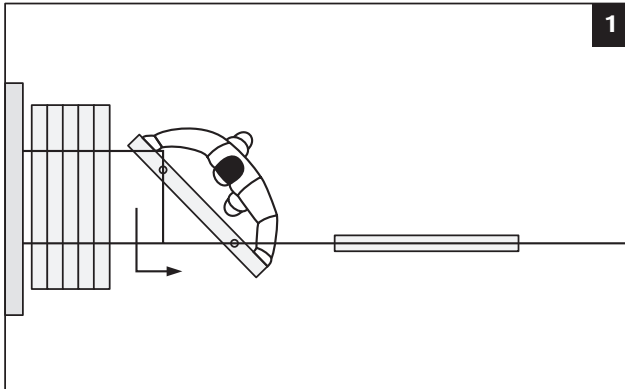
Operation manual for Type 85, 100 & 110 moveable walls



- After installation of the wall check with the installer that it entirely corresponds to your order.
- Please note any comments in the presence of the installer and have him state any issues on the sign off sheet.
- The installation consists of the track, wall jambs, basic panels and a telescopic panel (See illustration above). Door panels or a Communication panel can also be part of the wall.
- You will receive a detachable handle for locking and unlocking the panels. The operation hole is in the edge of the basic panels and the face of the telescopic panel.
- One point panels are centrally hung and care should be taken when moving them so as not to damage the ceiling and floor-covering.
- Two point suspension panels should be removed from the packing area one by one. Hold the panel with both hands at shoulder height, so it can be guided through the track junctions. If the track is straight the panels can be moved with one hand.
- Take care that panels NEVER collide with force as this will cause damage to the edge profiles.
- Now set up the first panel by locating it at the basic wall jamb. This is done by pushing with one hand at the side of the panel at head height. If necessary, use your foot to keep the panel in place at the bottom. Turn the pressure seals outward by means of the handle.
- When locking, release the spring pressure in the mechanism. Now the panel is located.
- Install each panel likewise and take care to align the panels. The inset door within the door panel MUST be closed when moving this panel. Lock the door if necessary.
- The last panel is the telescopic panel (See illustration above). This panel has an operating hole on both faces. Locate the handle and turn once to operate the telescopic closure element and turn again to operate the top and bottom pressure seals.

Used of enclosed operating handle

- To build up the partition follow steps 1 - 5.
- To park the partition follow steps 5 - 1.



DIVIDERS

DIVIDERS MODERNFOLD LIMITED

Factory and Head Office

Unit 1, Llanelli Gate, Dafen, Llanelli, SA14 8LQ

t: 01554 754510 f: 01554 741863

e: sales@dividersmodernfold.com

w: www.dividersmodernfold.com



A member of the Envirohold Group.

